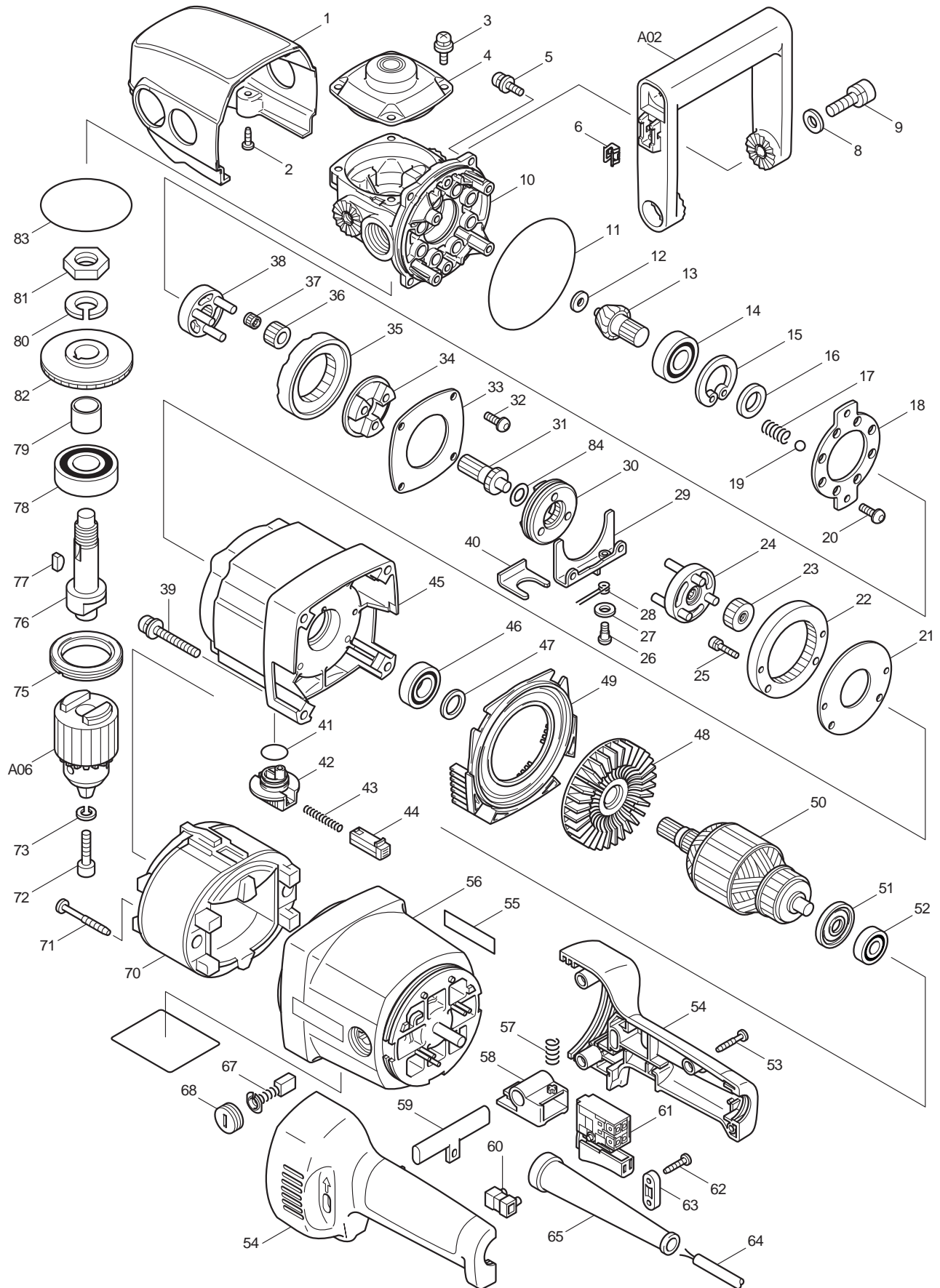




03 - 2010  
DA4031  
1/2" ANGLE DRILL  
2 - SPEED



Item No.	Type	Sub	Part No.	Description	Qty	Unit
1			417666-3	TOP COVER	1	PC.
2			266026-4	TAPPING SCREW BIND CT 4X12	2	PC.
3	1		911223-4	PAN HEAD SCREW M5X16	4	PC.
	2		266086-6	HEX. SOCKET HEAD BOLT M5X16	4	PC.
4			152956-4	GEAR HOUSING COVER COMPLETE	1	PC.
5	1		911223-4	PAN HEAD SCREW M5X16	4	PC.
	2		266086-6	HEX. SOCKET HEAD BOLT M5X16	4	PC.
6			344391-2	BIT HOLDER	1	PC.
8			941202-8	FLAT WASHER 8	2	PC.
9			922441-9	HEX. SOCKET HEAD BOLT M8X25	2	PC.
10			152958-0	GEAR HOUSING COMPLETE	1	PC.
11			213803-5	O RING 85	1	PC.
12			253804-1	FLAT WASHER 6	1	PC.
13			227415-8	SPIRAL BEVEL GEAR 13	1	PC.
14			211206-7	BALL BEARING 6202LLB	1	PC.
15			962153-2	RETAINING RING R-35	1	PC.
16			257212-8	RING 15	1	PC.
17			233326-7	COMPRESSION SPRING 5	8	PC.
18			345189-0	GUIDE PLATE	1	PC.
19			216022-2	STEEL BALL 7.0	8	PC.
20			265491-4	H.S. BUTTON HEAD BOLT M5X16	2	PC.
21			345193-9	PLATE	1	PC.
22			227021-9	INTERNAL GEAR 49	1	PC.
23			152966-1	SPUR GEAR 19 COMPLETE	3	PC.
24			152965-3	CARRIER B COMPLETE	1	PC.
25			265493-0	HEX. SOCKET HEAD BOLT M4X20	2	PC.
26			251306-1	+ PAN HEAD SCREW J5	1	PC.
27			941152-7	FLAT WASHER 6	1	PC.
28			231657-8	TORSION SPRING 6	1	PC.
29			345191-3	CHANGE GUIDE	1	PC.
30			324201-9	CHANGE RING	1	PC.
31			227025-1	SPUR GEAR 10	1	PC.
32			265491-4	H.S. BUTTON HEAD BOLT M5X16	4	PC.
33			345188-2	RETAINER PLATE	1	PC.
34			223135-2	CAM	1	PC.
35			227022-7	INTERNAL GEAR 38	1	PC.
36			227026-9	SPUR GEAR 14	3	PC.
37			216420-0	NEEDLE CAGE 6910	3	PC.
38			152964-5	CARRIER A COMPLETE	1	PC.
39			911373-5	PAN HEAD SCREW M6X50	4	PC.
40			961078-7	RETAINING RING (EXT) S-18	1	PC.
41			213265-7	O RING 17	1	PC.
42			417670-2	CHANGE LEVER	1	PC.
43			233279-0	COMPRESSION SPRING 4	1	PC.
44			417298-6	LOCK BUTTON	1	PC.
45			152960-3	GEAR CASE COMPLETE	1	PC.
		INC.	213459-4	O RING 32	1	PC.
46			211236-8	BALL BEARING 6002DDW	1	PC.
47			253853-8	FLAT WASHER 15	1	PC.
48			240003-4	FAN 80	1	PC.
49			417664-7	BAFFLE PLATE	1	PC.
50			516856-6	ARMATURE ASS'Y 115V	1	PC.
		INC.		Item No. 46,47,48,51,52		
51			681649-1	INSULATION WASHER	1	PC.
52			211061-7	BALL BEARING 6000LLB	1	PC.
53			265999-8	TAPPING SCREW 4X25	4	PC.

Item No.	Type	Sub	Part No.	Description	Qty	Unit
54			183392-3	HANDLE SET	1	SET
55			819063-3	MAKITA LABEL	2	PC.
56			183400-0	MOTOR HOUSING	1	PC.
		INC.	643708-9	BRUSH HOLDER 5-11	2	PC.
		INC.		Item No. 55		
57			231402-1	COMPRESSION SPRING 7	1	PC.
58			416998-5	LOCK BUTTON	1	PC.
59			417663-9	F/R CHANGE LEVER	1	PC.
60			654532-5	TERMINAL BLOCK 1P	1	PC.
61			650502-2	SWITCH SGE110CR10	1	PC.
62			265995-6	TAPPING SCREW 4X18	2	PC.
63			687063-9	CORD CLAMP	1	PC.
64			664265-4	CORD W/PLUG 2P-16-2.5M, SJ	1	PC.
65			682564-2	CORD GUARD	1	PC.
67	1		191963-2	CARBON BRUSH CB-303 2PC/SET (W/O ORIGIN)	1	SET
	2		194996-6	CARBON BRUSH CB-303 2PC/SET (W/ ORIGIN)	1	SET
68			643750-0	BRUSH HOLDER CAP	2	PC.
70			636226-4	FIELD 115V	1	PC.
71			266056-5	TAPPING SCREW 5X45	2	PC.
72			266284-2	HEX. SOCKET HEAD BOLT M6X25	1	PC.
73			942151-2	SPRING WASHER 6	1	PC.
75			285838-6	BEARING RETAINER 29-42	1	PC.
76			324203-5	SPINDLE	1	PC.
77			254032-1	WOODRUFF KEY 5	1	PC.
78			211278-2	BALL BEARING 6203DDW	1	PC.
79			257715-2	SLEEVE 17	1	PC.
80			942402-3	SPRING WASHER 16	1	PC.
81			252182-6	HEX. NUT M16-22	1	PC.
82			227416-6	SPIRAL BEVEL GEAR 40	1	PC.
83			213709-7	O RING 63	1	PC.
84			253215-0	FLAT WASHER 8	1	PC.
85			253771-0	FLAT WASHER 16	1	PC.
86			410102-8	KEY HOLDER	1	PC.
100			654020-2	GARTER SPRING	2	PC.
101			654037-5	INSLTED TERMINAL FK1.25-M3	2	PC.
102			654501-6	TERMINAL P-1.25	2	PC.
103			652008-6	P.H. SCREW M3.5 X 7	2	PC.
<b><u>ACCESSORIES</u></b>						
A01			273654-8	GRIP 27	1	PC.
A02			417665-5	FRONT GRIP	1	PC.
A03			763434-5	CHUCK KEY 10	1	PC.
A04			783204-6	HEX. WRENCH 6	1	PC.
A05			824647-4	PLASTIC CARRYING CASE	1	PC.
		INC.	416401-6	LATCH (TYPE1)	2	PC.
		INC.	163467-4	LATCH (TYPE2)	2	PC.
A06			193520-2	DRILL CHUCK S-13	1	PC.
		INC.	266284-2	HEX. SOCKET HEAD BOLT M6X25	1	PC.
		INC.	942151-2	SPRING WASHER 6	1	PC.